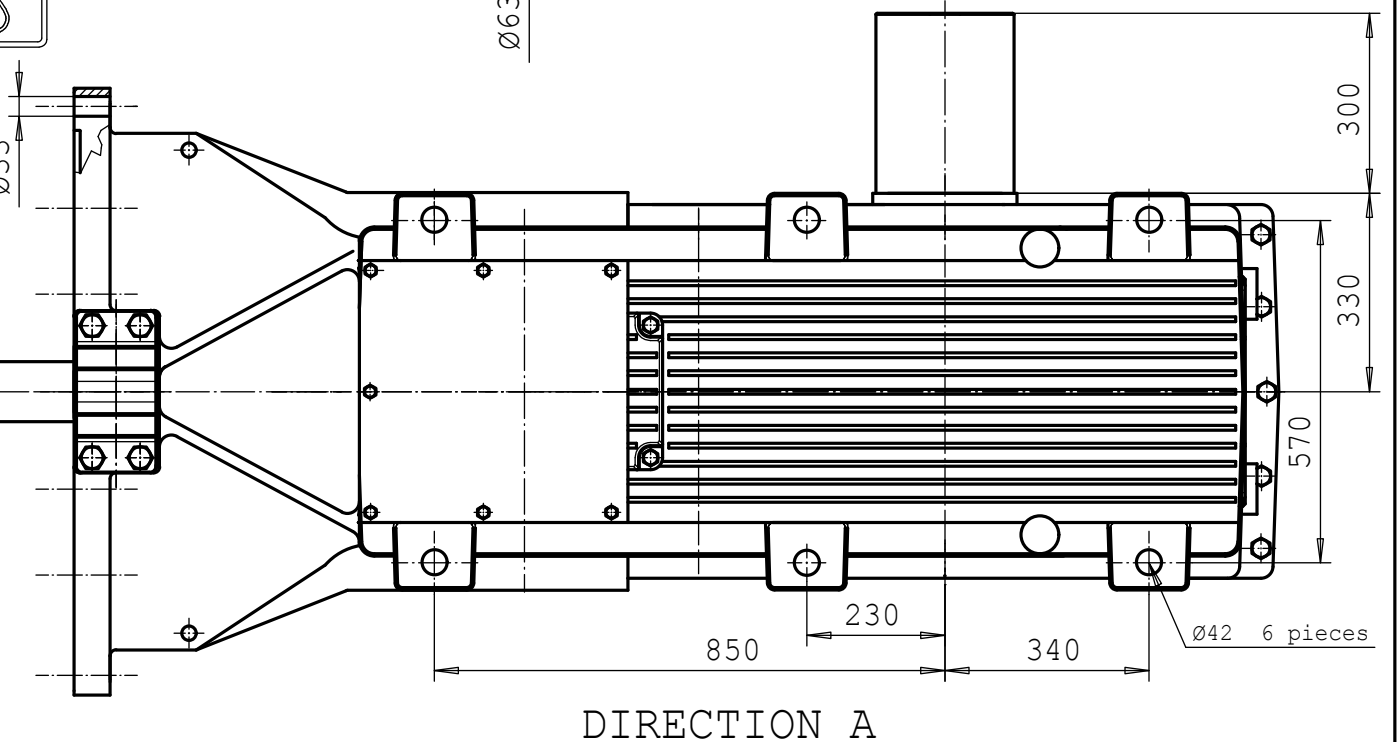
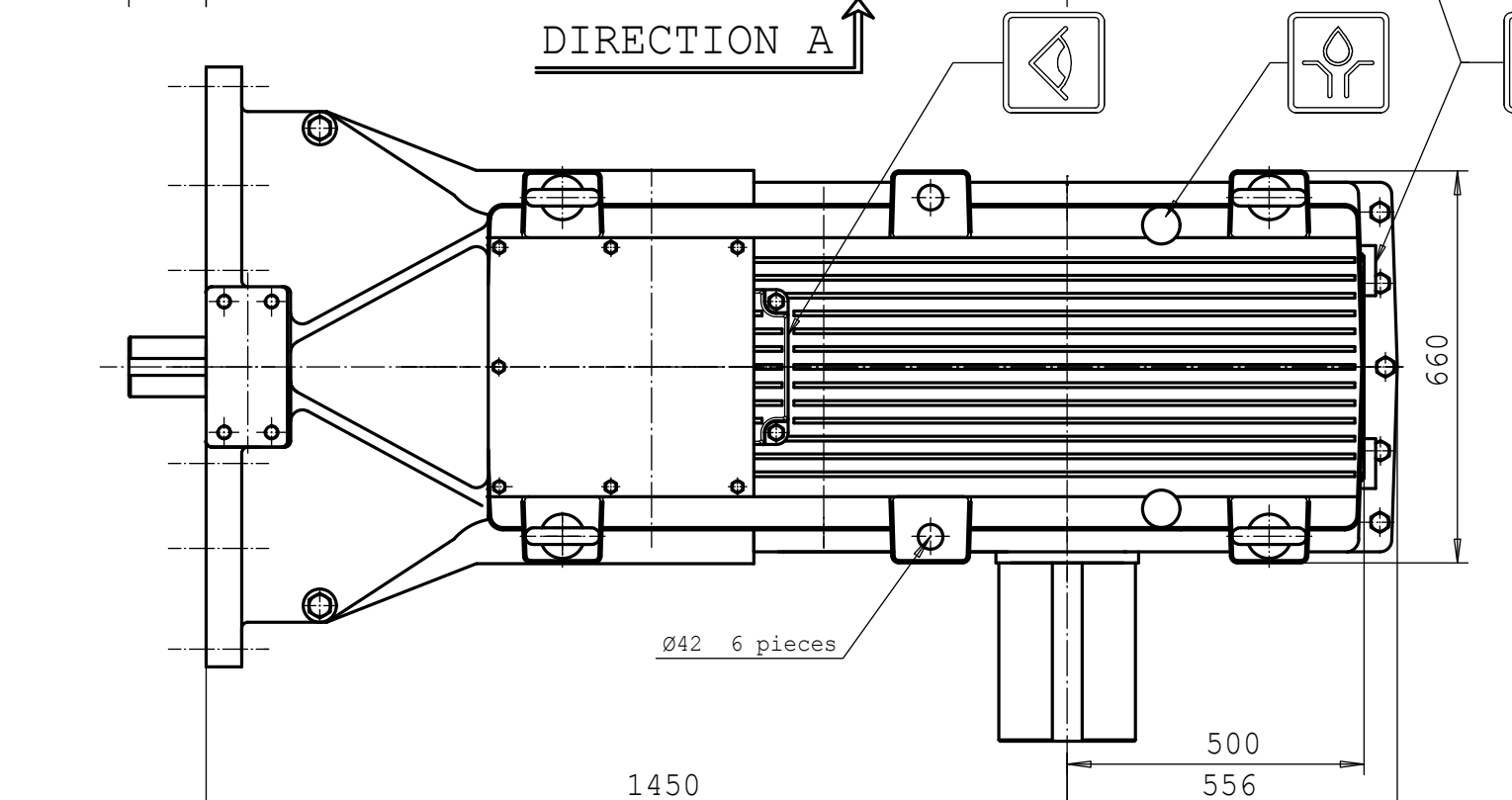
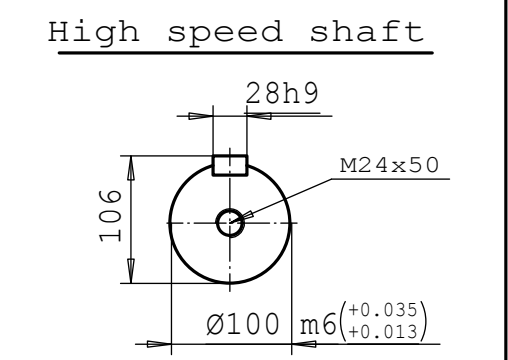
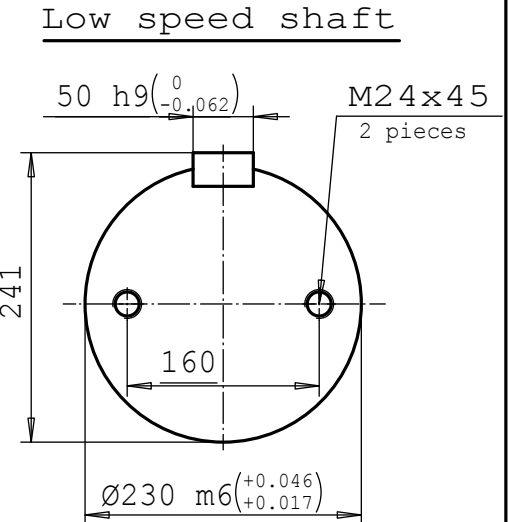
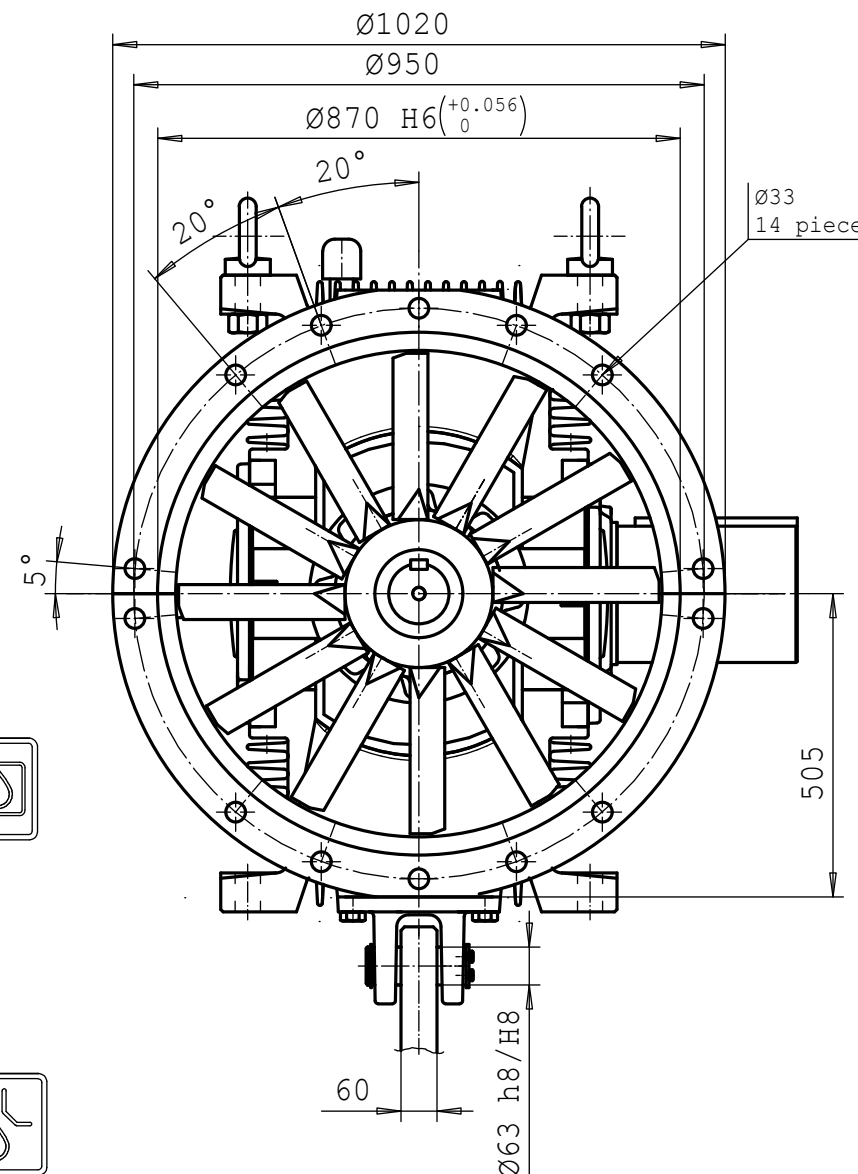
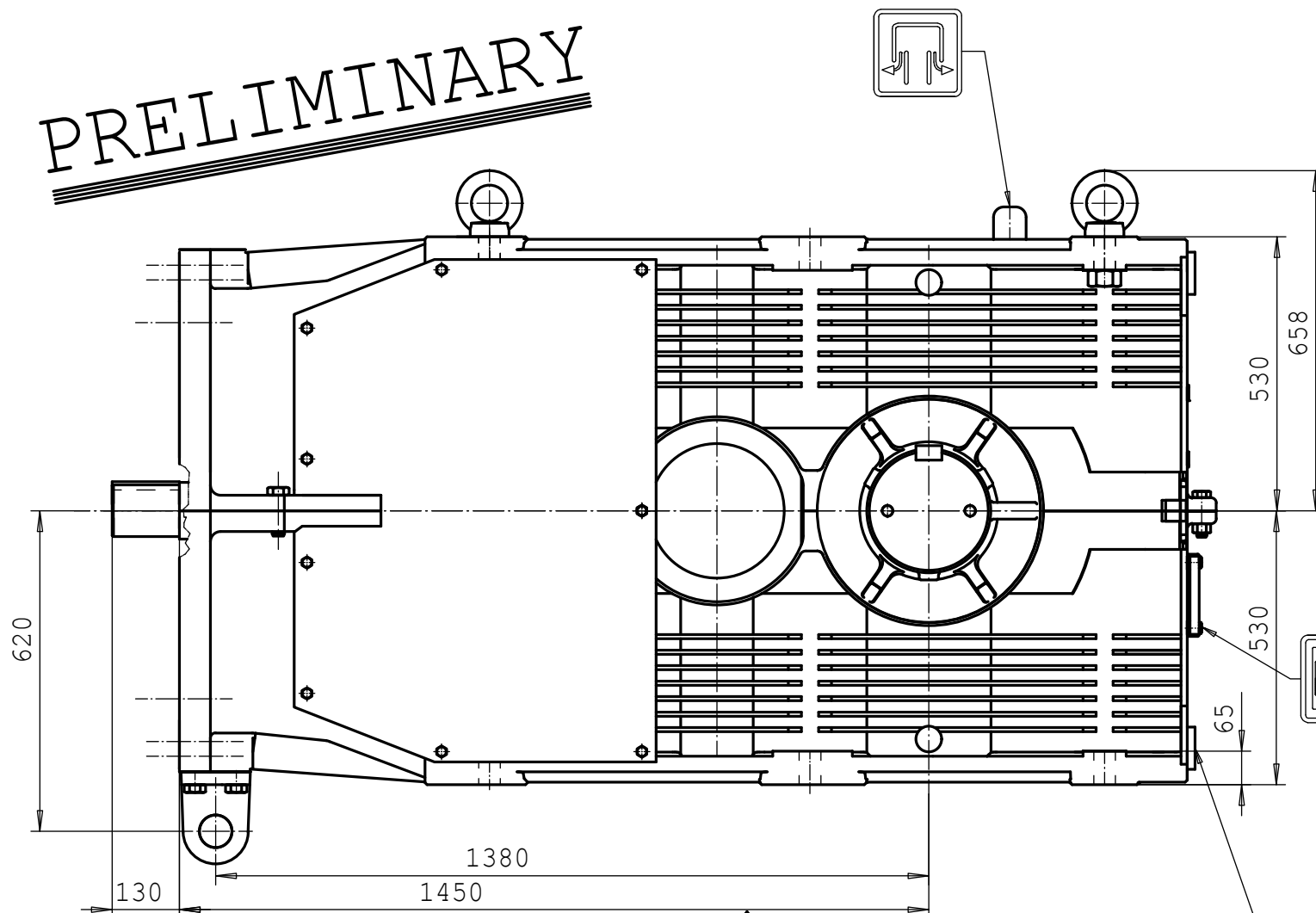


**PRELIMINARY**



DIRECTION A ↑

DIRECTION A

OIL 180 liter  
shaft position 04  
WEIGHT 3100 KG

<b>moventas</b> DIMENSION DRAWING D3RST82XO D3RSF82XO	EUROPEAN PROJ 	SUHDE/SCALE 1:10	LASTUMISTOLERANSSIT MACHINING TOLERANCES ISO2768-m
	7.12.2010 MMI	D011437	