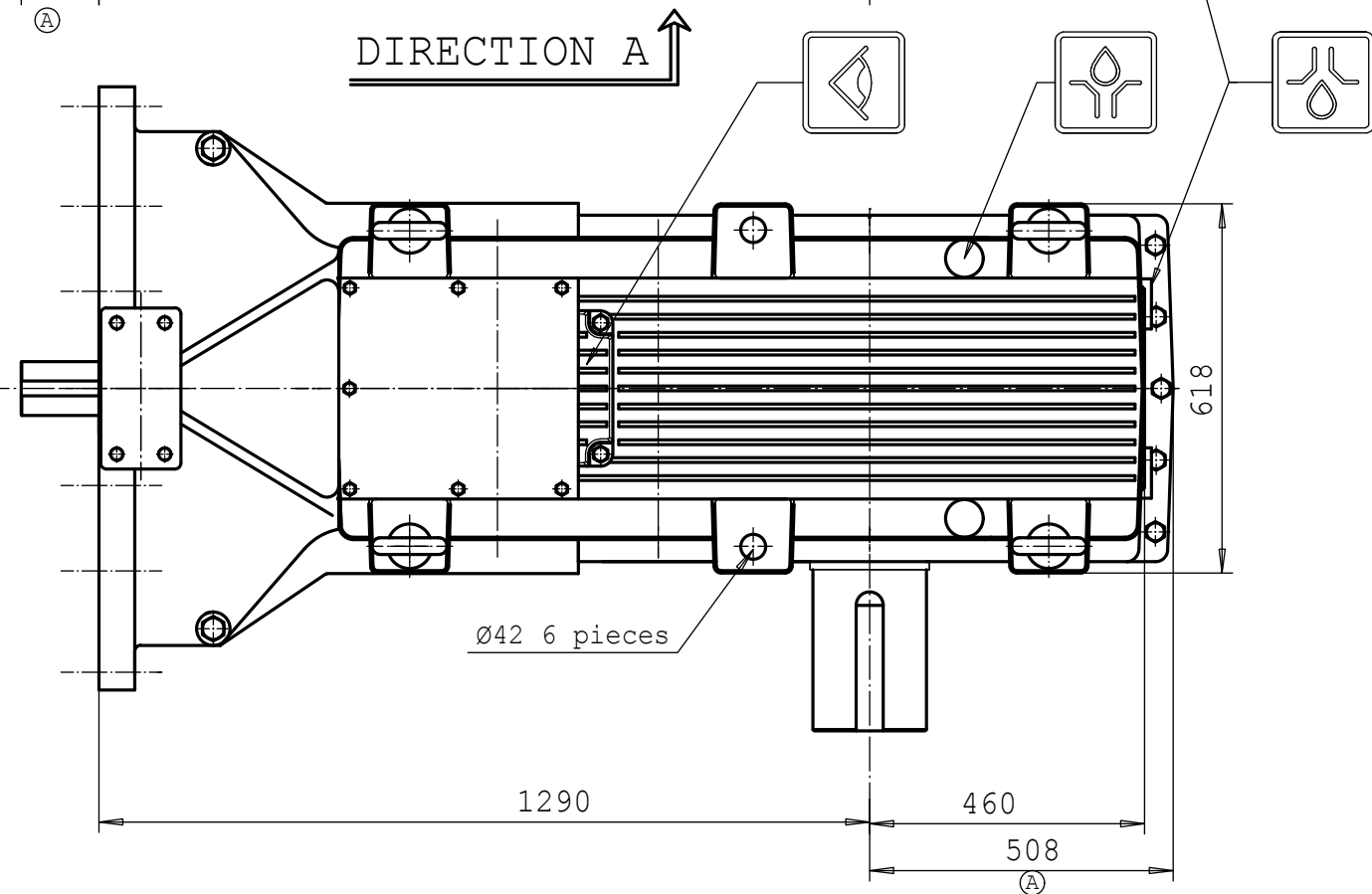
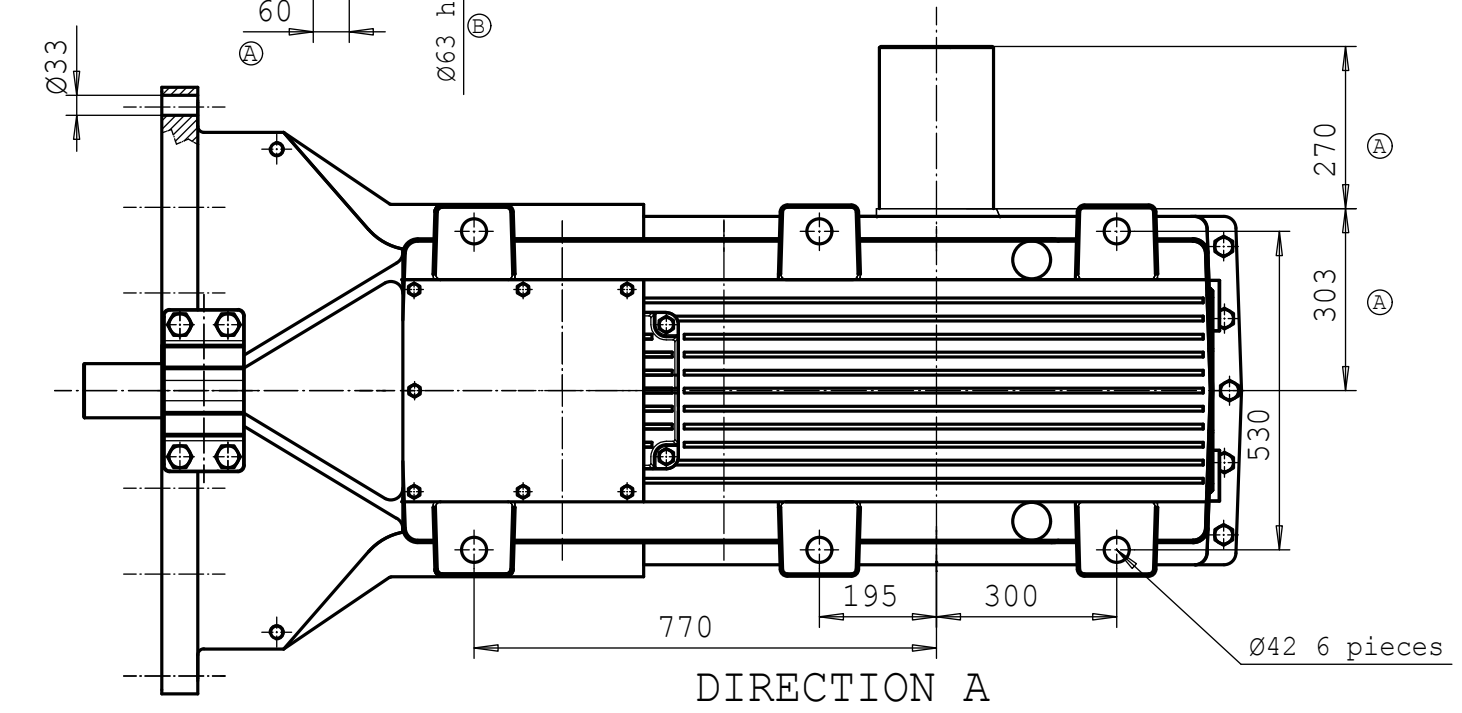
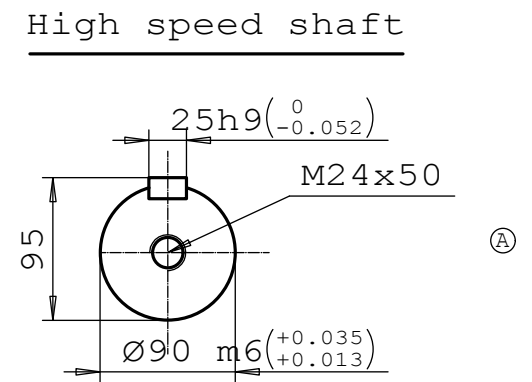
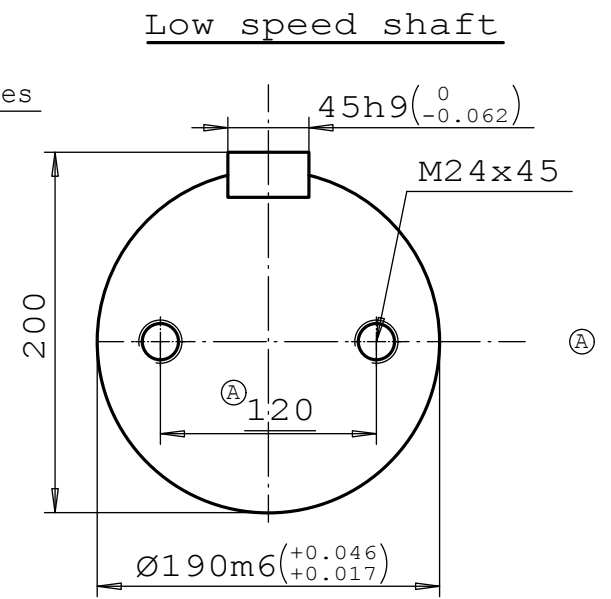
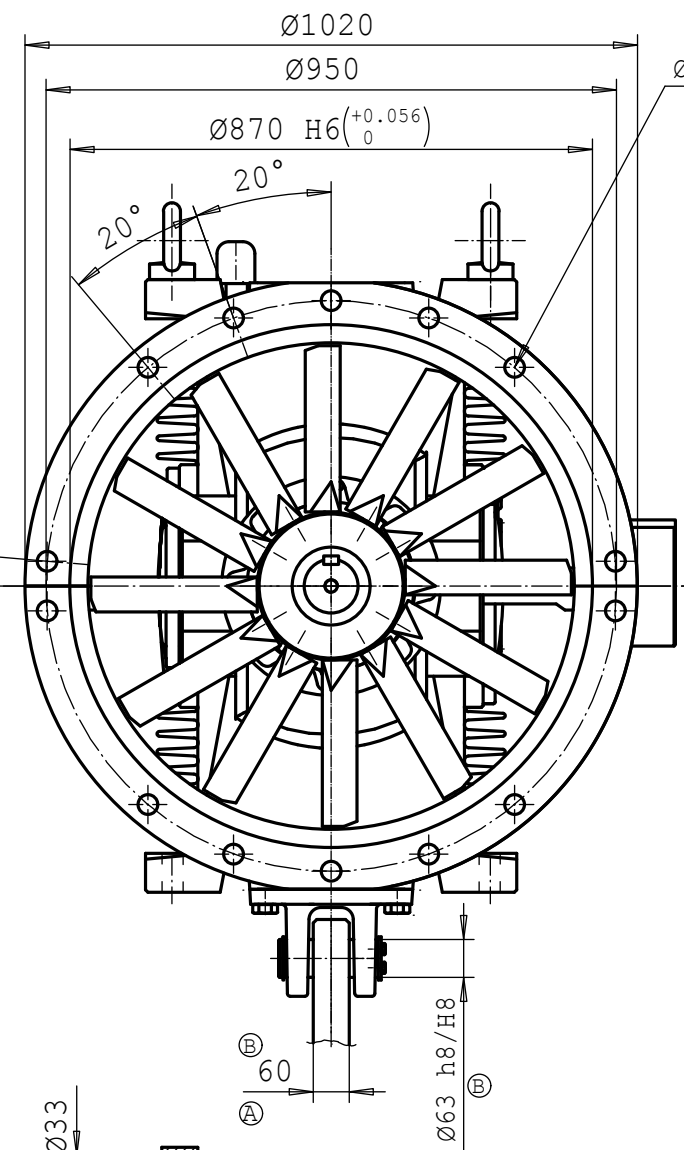
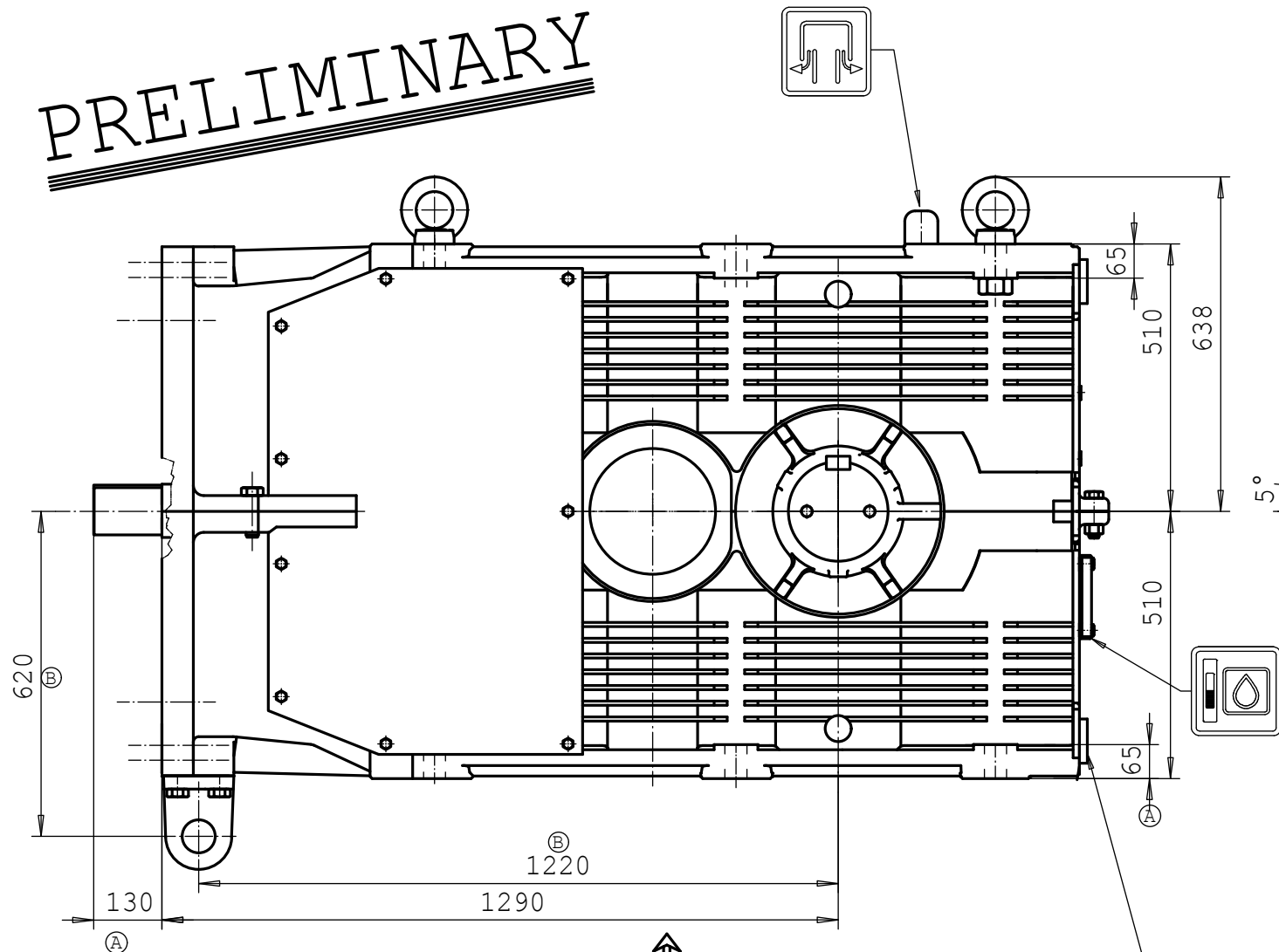


**PRELIMINARY**



OIL 130 liter <sup>Ⓐ</sup>  
 shaft pos.04  
 WEIGHT 2100 KG <sup>Ⓐ</sup>

		EUROPEAN PROJ	SUHDE/SCALE	LASTUMISTOLERANSSIT MACHINING TOLERANCES ISO2768-m
			1:10	
DIMENSION DRAWING	D3RST70XO D3RSF70XO	11.6.2010	MMI	D010316 B

b) torque arm updated 20.12.2010 a) shaft end, oil, weight dimensions updated 13.10.10 MMI