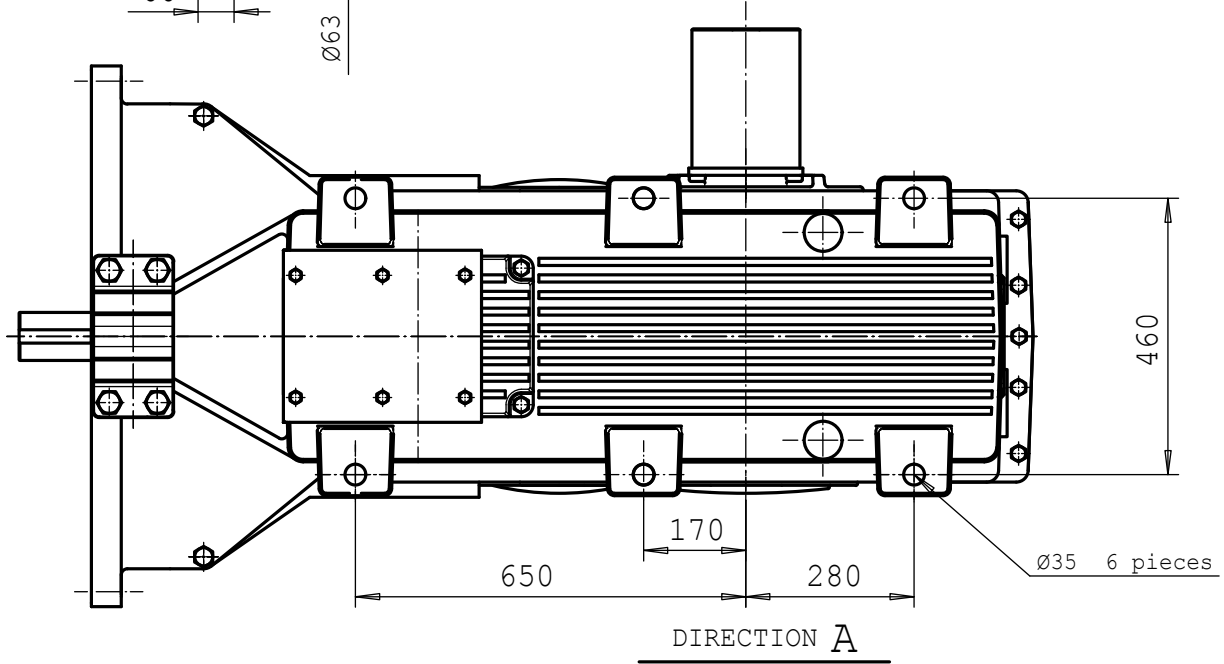
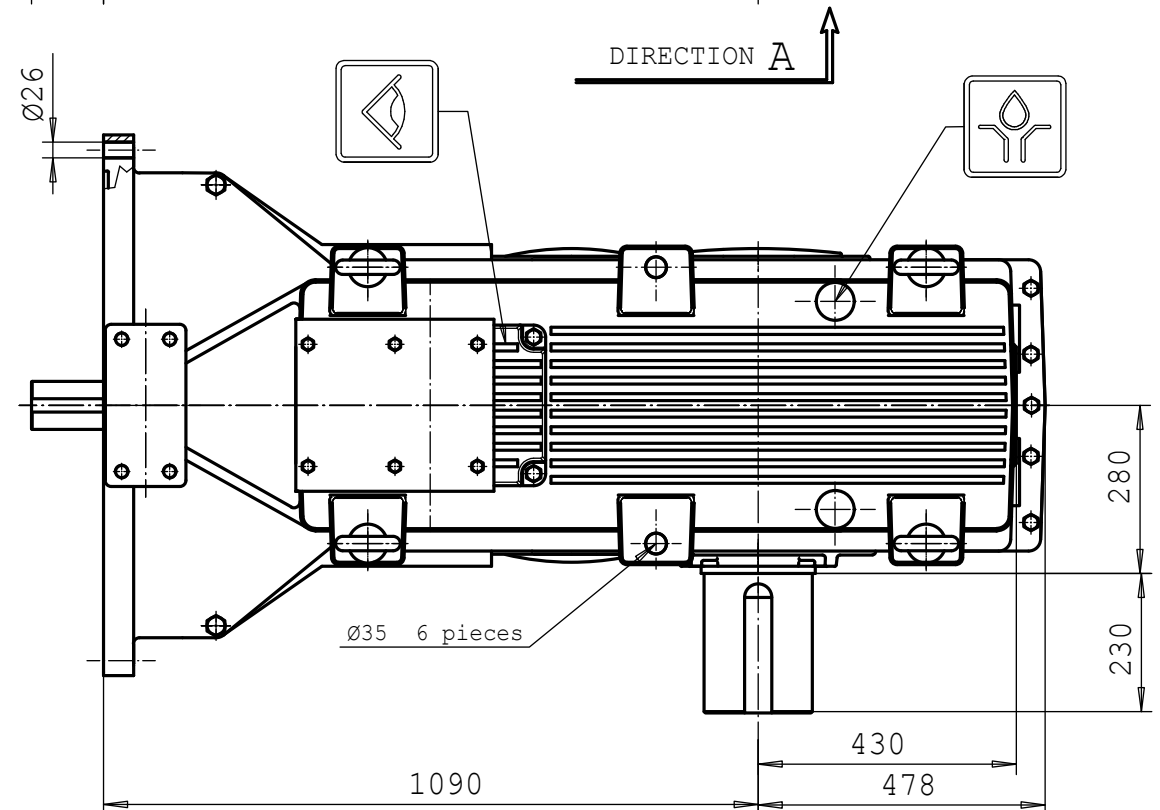
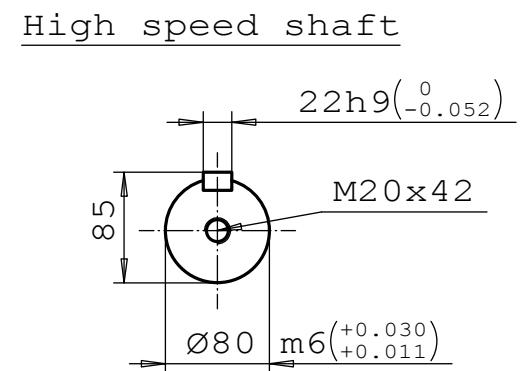
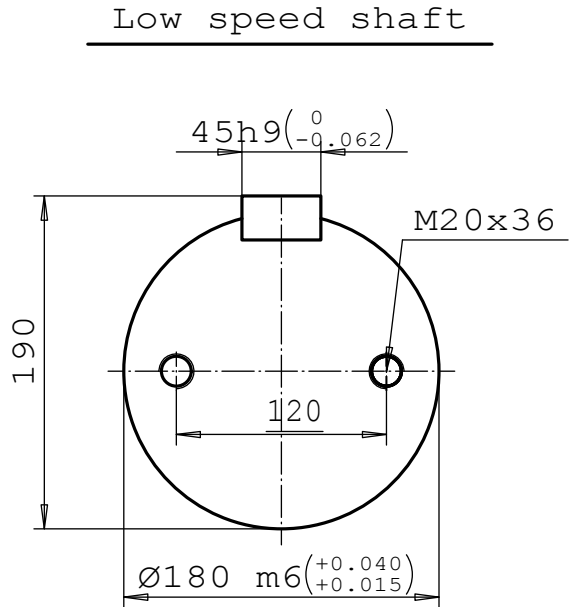
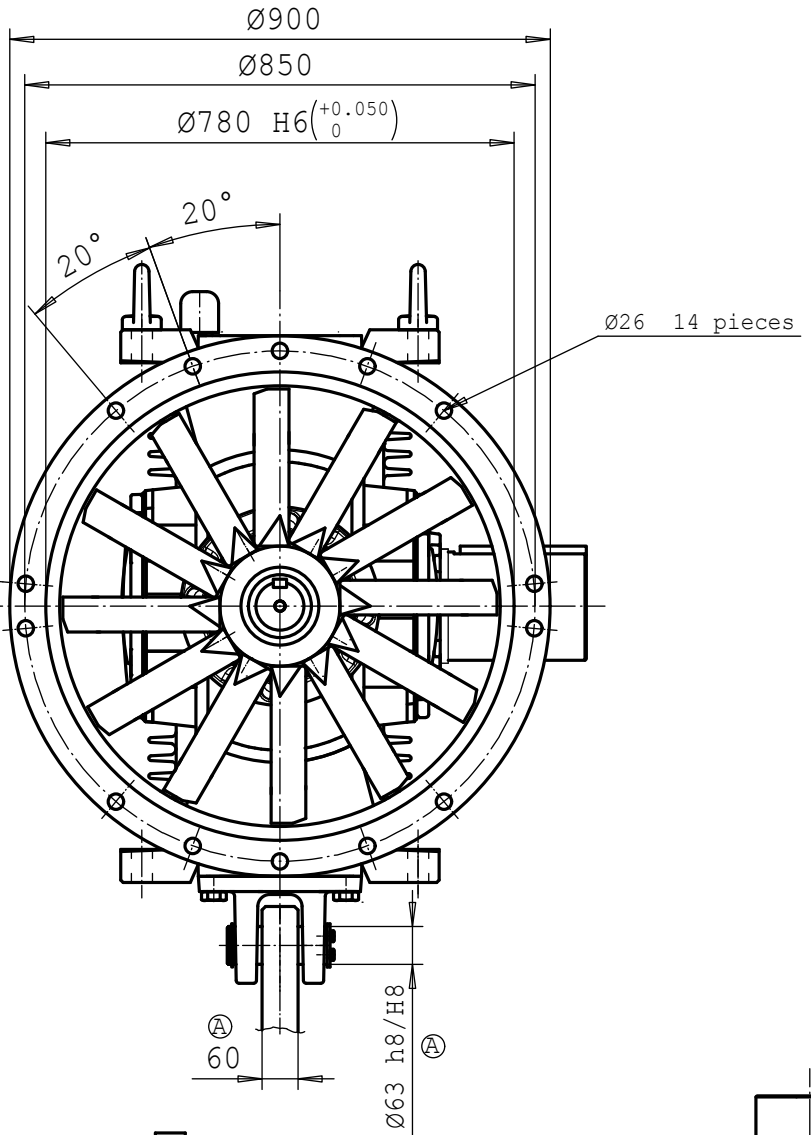
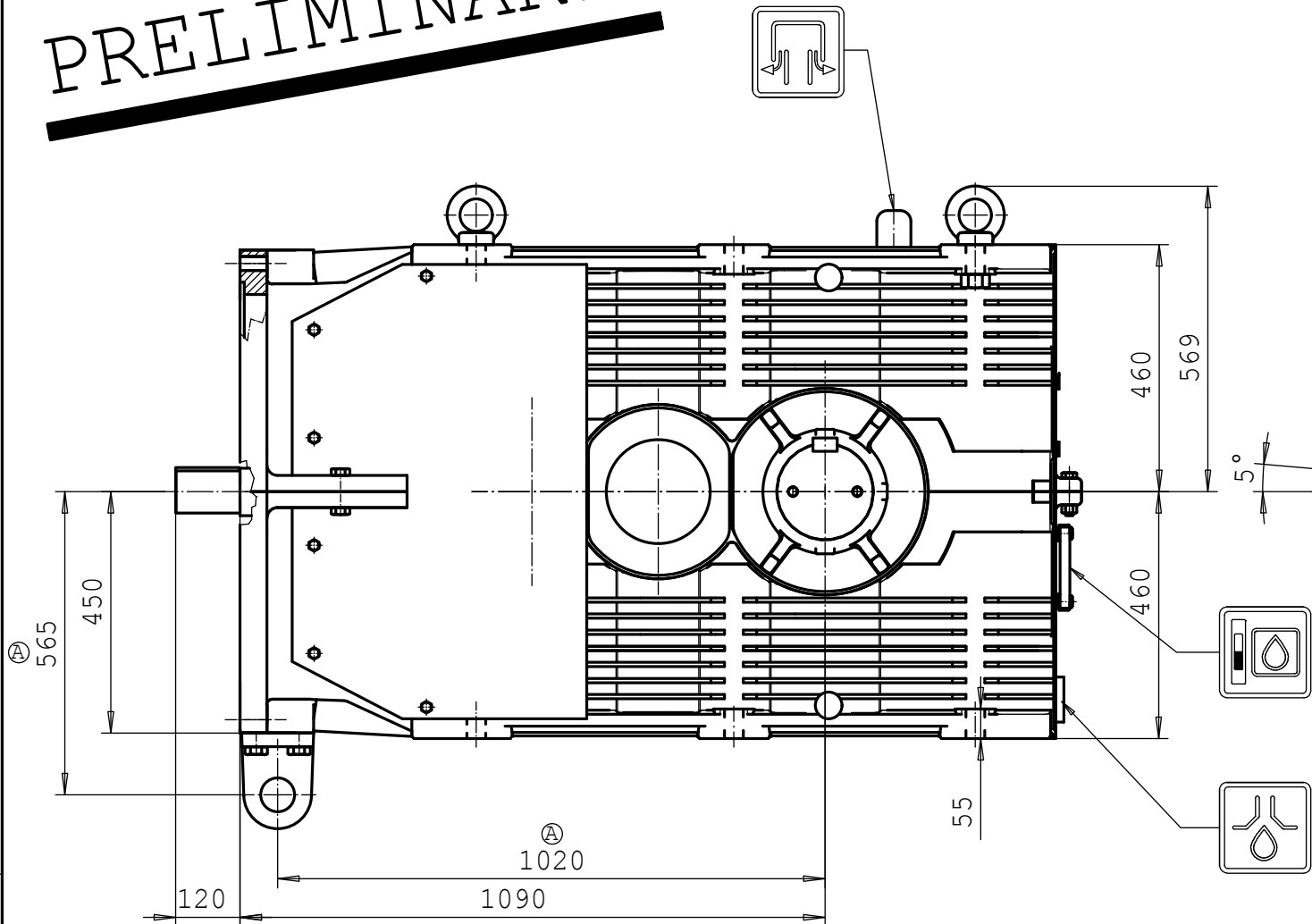


PRELIMINARY



Oil 100 liter
Weight 1600 kg

a) torque arm updated 20.12.2010

moventas		EUROPEAN PROJ	SUHDE/SCALE	LASTUMISTOLERANSSIT MACHINING TOLERANCES ISO2768-m
			1:10	
DIMENSION DRAWING		D3RST60XO D3RSF60XO	27.10.2010	MMI
				D011160 A