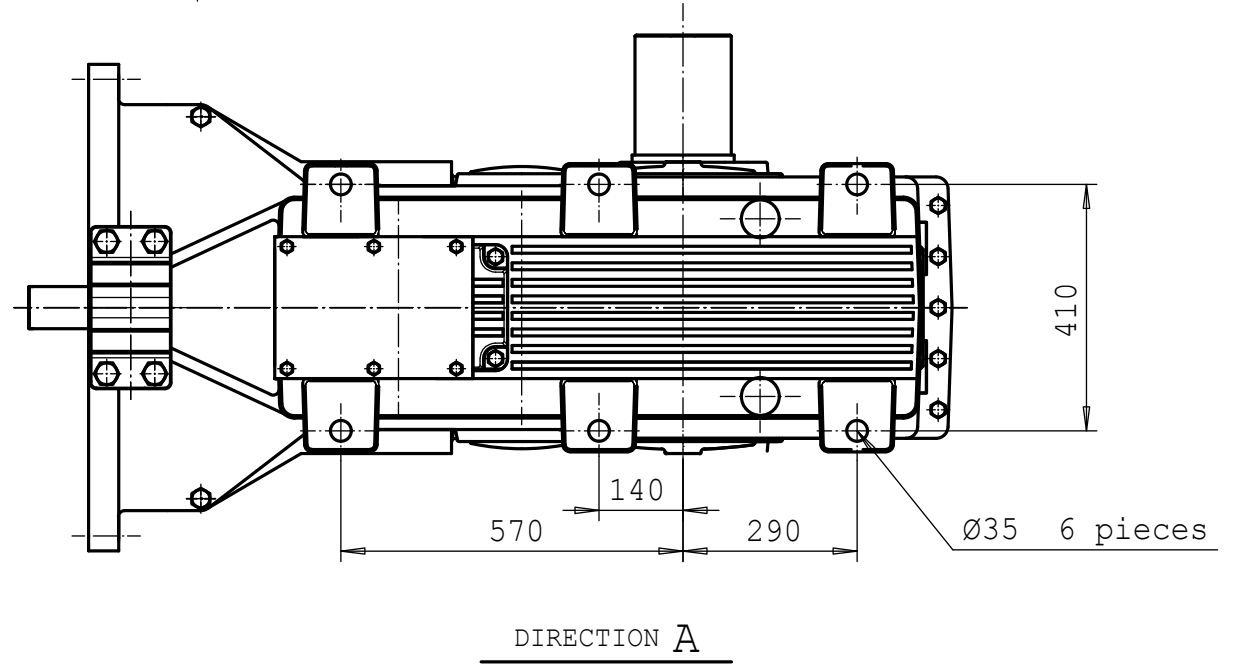
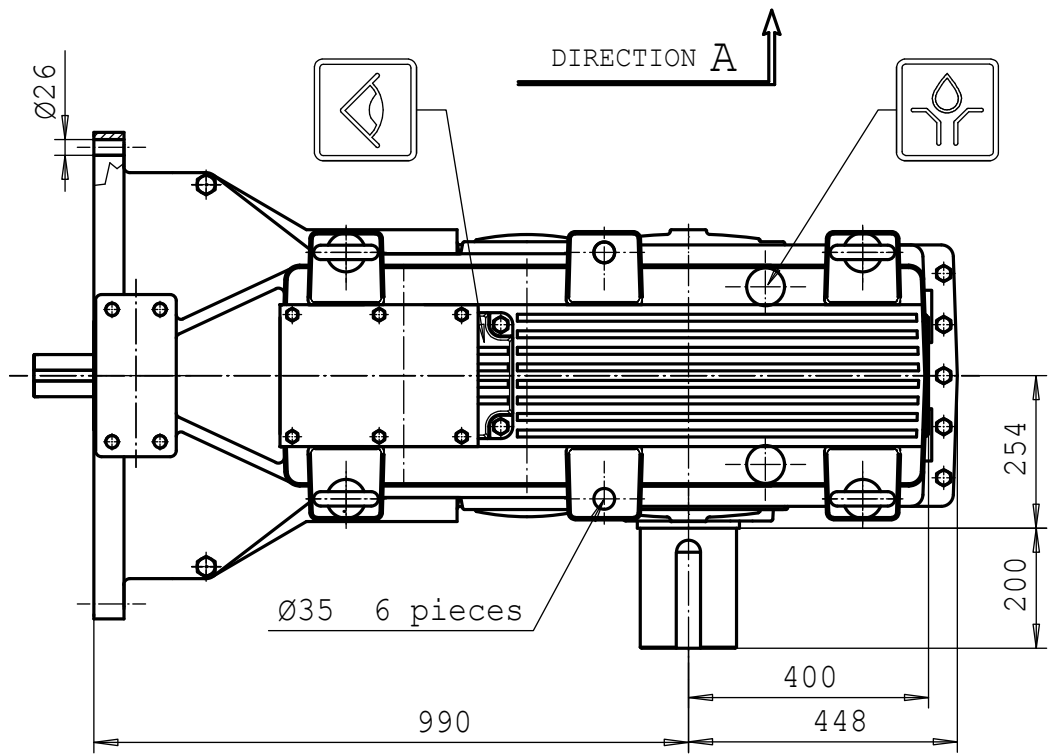
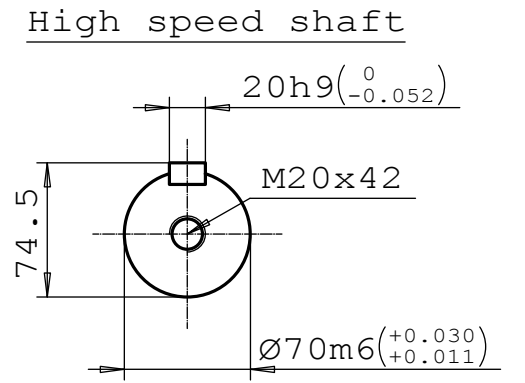
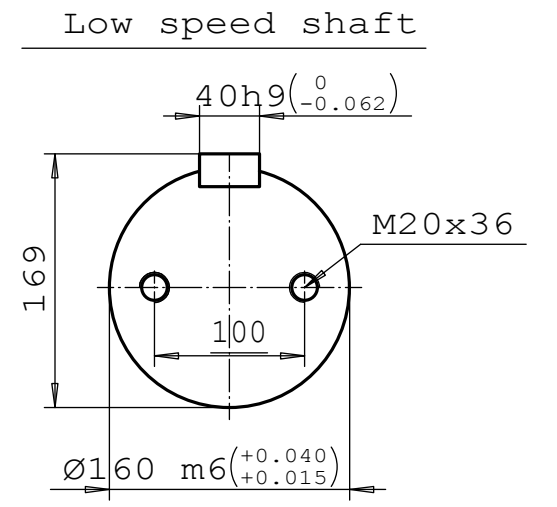
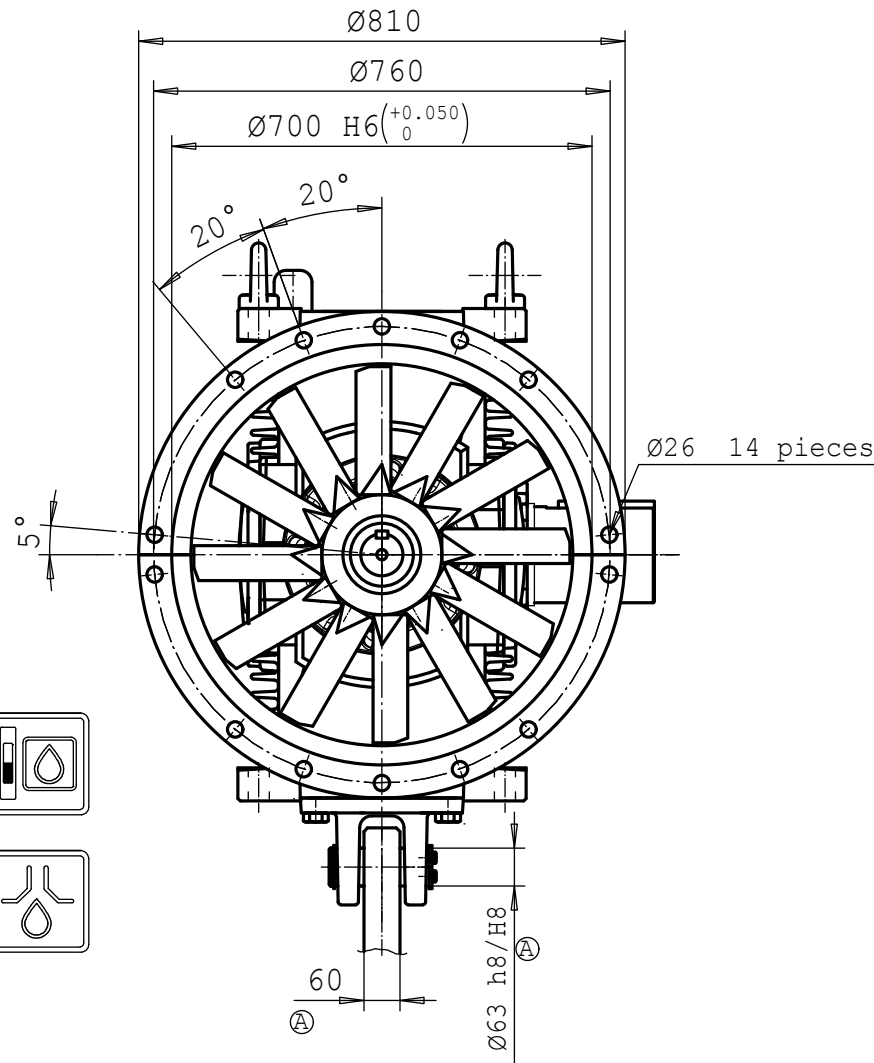
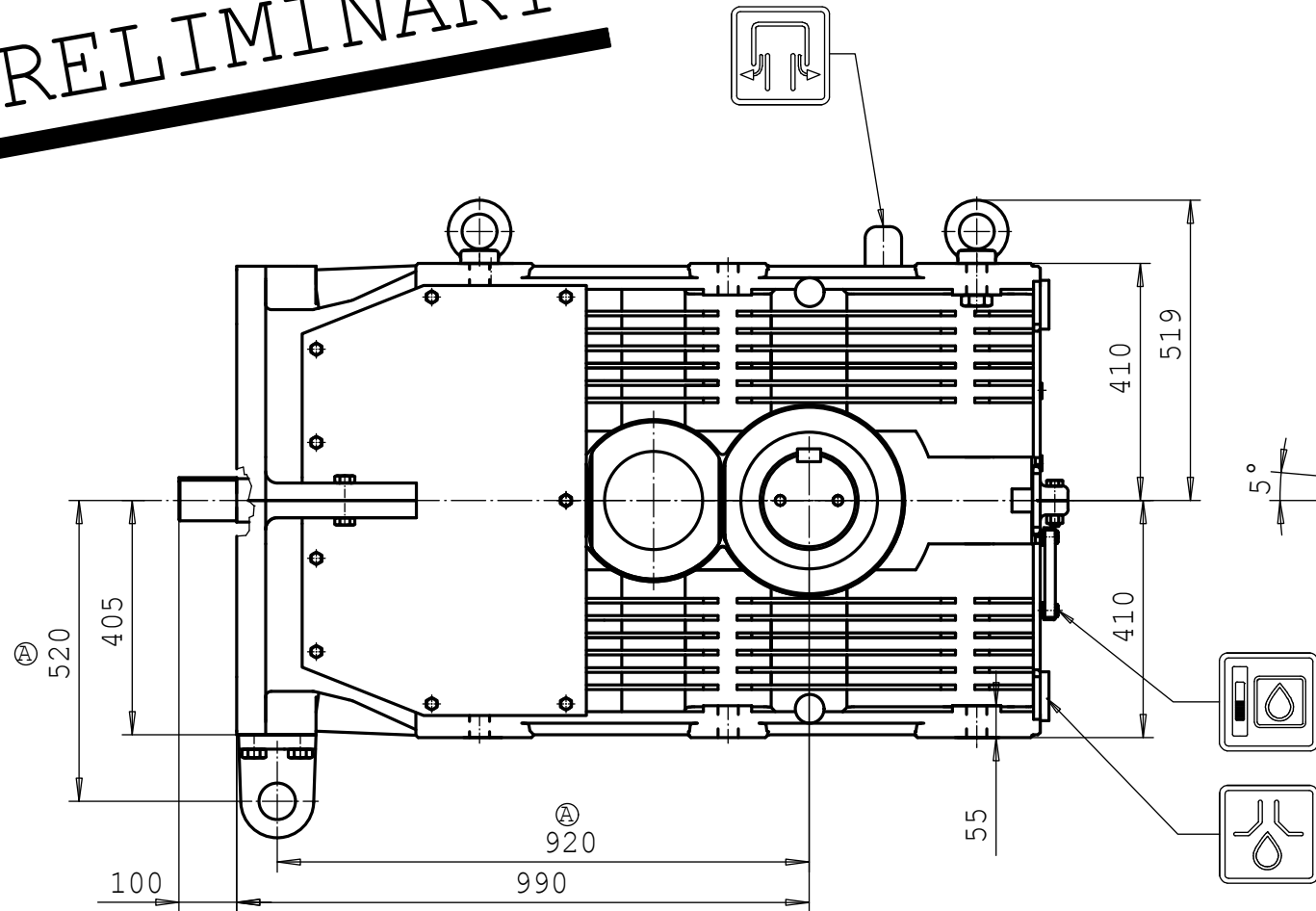


**PRELIMINARY**



Oil 70 liter  
Weight 1200 kg

a) torque arm updated 20.12.2010

		EUROPEAN PROJ 	SUHDE/SCALE 1:10	LASTAMISTOLERANSSIT MACHINING TOLERANCES ISO2768-m
		DIMENSION DRAWING	D3RST50XO D3RSF50XO	13.10.2010 MMI