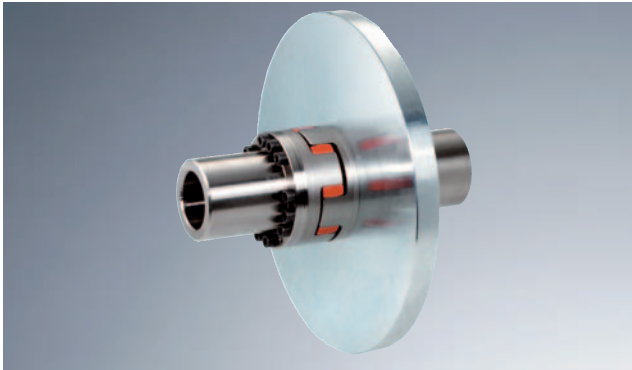
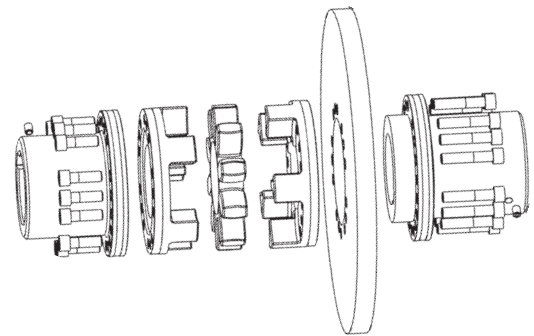
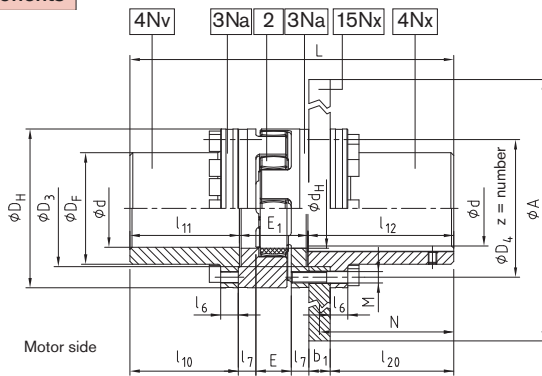


Type AFN-SB special with disk brake



- Shaft coupling AFN-SB special with disk brake for braking calipers
- The disk brake has to be placed onto the shaft end with the biggest mass moment of inertia
- The maximum braking torque must not exceed the maximum torque of the coupling
- For details about ROTEX AFN-SB spec. please see our dimension sheet no. M 351054
- Finish bore according to ISO fit H7, feather keyway according to DIN 6885 sheet 1 - JS9
- Mounting instructions under www.ktr.com

Components



ROTEX® Type AFN-SB special													
Size	Finish bore d		Dimensions [mm]										
	min.	max.	D _H	D _F	D ₃ ^{H7/h7}	D ₄	d _H	E	E ₁	M	z	Pitch	T _A [Nm]
65	22	65	135	94	96	116	68	35	65	M10	12	16x22,5°	83
75	30	75	160	108	112	136	80	40	75	M12	15		120
90	40	100	200	142	145	172	100	45	82	M16	15		295
100	46	110	225	158	165	195	113	50	97	M16	15		295
110	60	125	255	178	180	218	127	55	103	M20	15	20x18°	580
125	60	145	290	206	215	252	147	60	116	M20	15		580
140	60	165	320	235	245	282	165	65	128	M20	15		580
160	80	190	370	270	280	325	190	75	146	M24	15		1000

ROTEX® Type AFN-SB special													
Size	Torque ¹⁾ mit 95Sh-A		Max. speed [rpm]	Max. ¹⁾ brake torque [Nm]	Dimensions [mm]								
	T _{KN}	T _{Kmax.}			l ₆	l ₇	l ₁₀	l ₁₁	l ₁₂	l ₂₀	N	L	
65	940	1880	3450	1880	15	16	112,5	113,5	166,0	135	150	344,5	
75	1920	3840	3250	3840	20	19	131,5	133,0	166,5	135	150	374,5	
90	3600	7200	3000	7200	20	20	164,0	165,5	206,5	175	190	454,0	
100	4950	9900	2800	9900	25	25	153,5	155,0	206,5	175	190	458,5	
110	7200	14400	2600	14400	25	26	201,5	203,5	212,0	180	195	518,5	
125	10000	20000	2250	20000	30	30	198,5	200,5	212,0	180	195	528,5	
140	12800	25600	1800	25600	30	34	244,5	247,0	252,5	220	235	627,5	
										210 ²⁾	230 ²⁾		
160	19200	38400	1500	38400	34	38	226,5	229,0	252,5	220	235	627,5	
										210 ²⁾	230 ²⁾		

Selection of ROTEX® coupling/disk brake											
Size	Brake disk ØA x b ₁										
	355x30	400x30	450x30	500x30	560x30	630x30	710x30	800x30	900x30	900x40	1000x40
65	x	x	x								
75		x	x	x							
90			x	x	x	x					
100				x	x	x					
110				x	x	x	x				
125						x	x	x			
140							x	x	x	x	x
160							x	x	x	x	x

¹⁾ The max. braking torque must not exceed the maximum torque of the coupling. ²⁾ Dimensions for a brake disk width b₁ of 40 mm.

Order form:	ROTEX® 90	AFN-SB special	Ø450x30	95 Sh A	4Nv — Ø 90	4Nx — Ø 90
Couplings size		Type	ØDisk brake width of disk	Zahnkranzhärte	Component Finish bore	Component Finish bore